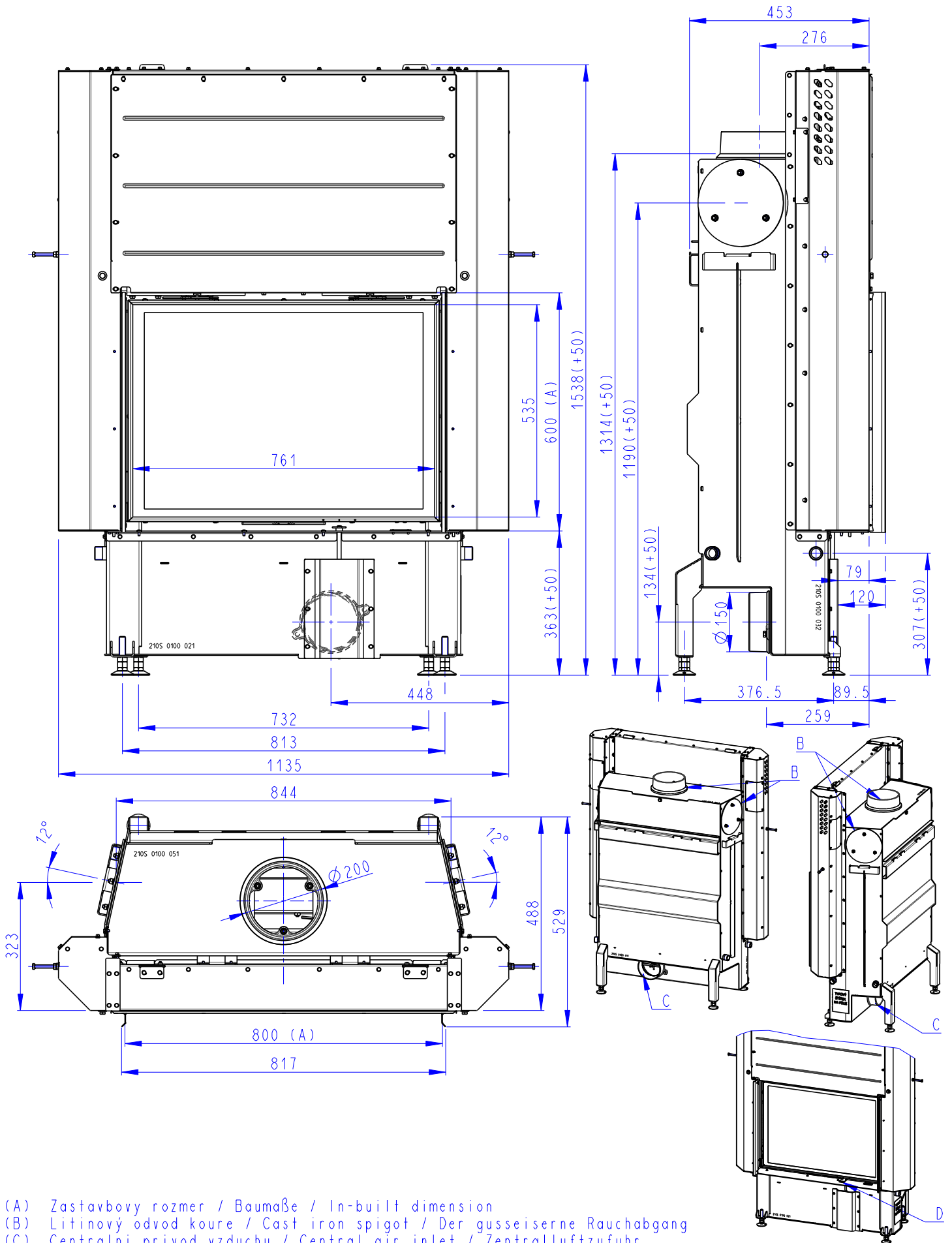
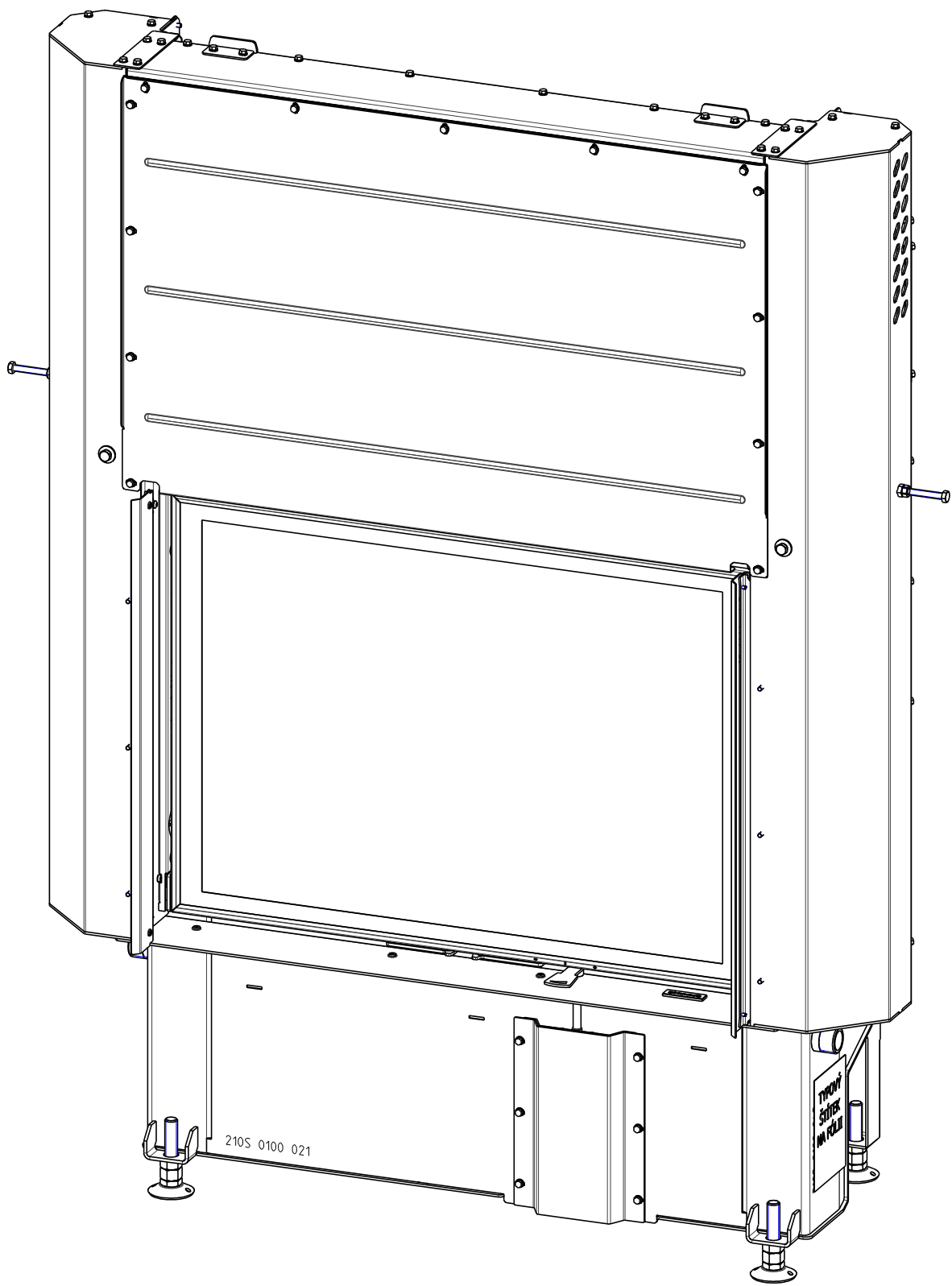


Rozměry v mm
Maße in mm
Dimensions in mm

IMPRESSION 2g L 80.60.01 - 210S	220 kg
IMPRESSION 2g L 80.60.01 + 12LH TOP01	307,3 kg
IMPRESSION 2g L 80.60.01 + 12LH TOP02	294,5 kg





210S 0100 021

THORNTON
STEEL
IND. FILE

