

FE2owlet-ECblue

for three phase alternating current, 380-480 V

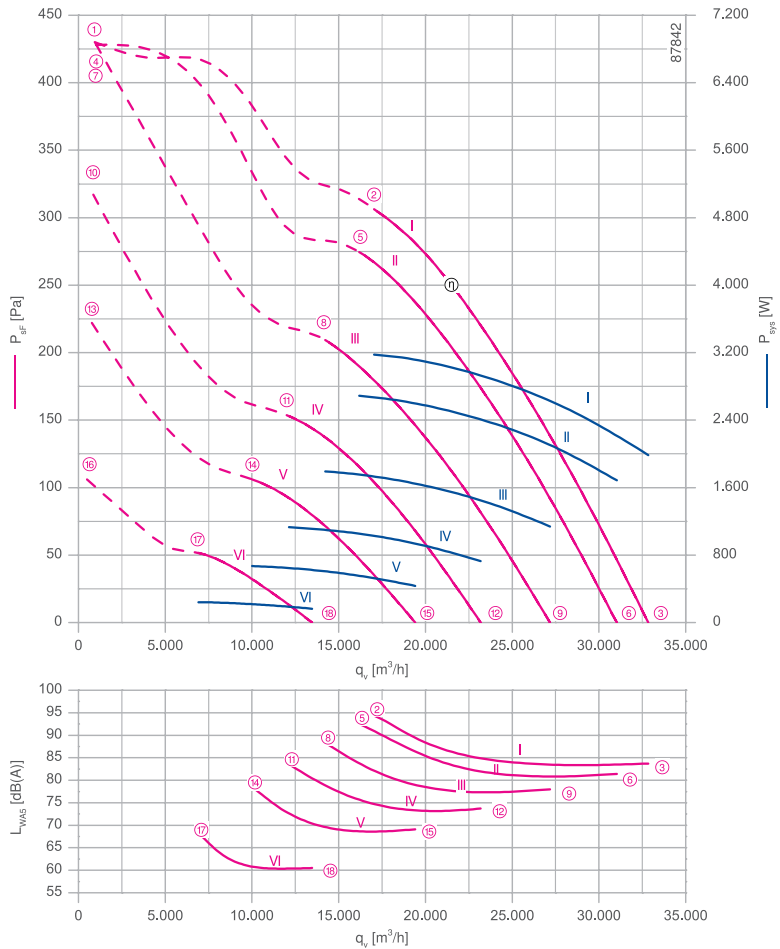
FN091



Description

Motor technology: EC
 Rated voltage U_N : 3- 380-480 V*
 Rated frequency f_N : 50/60 Hz*
 Input power P_{sys} : 3.20 kW*
 Rated current I_N : 5.00- 3.90 A*
 Rated speed n_N : 1100 min⁻¹*
 Thermal class: THCL155*
 Min. permitted ambient temperature $t_{R(min)}$: -35 °C
 Max. permitted ambient temperature $t_{R(max)}$: 50 °C
 Electrical connection: integrated Controller
 Number of blades: 5
 Protection class: IP54
 Motor protection: Integrated active temperature management
 Blades: Aluminium, uncoated
 Rotor: Steel, 2 coat paint, ultramarine blue
 Conformity: ErP 2015, CE, UL
ErP-data
 Efficiency η_{statA} : 53.2 %
 Efficiency: $N_{actual} = 56.5 / N_{target} = 40^{**}$
 EC controller integrated
 * Rated data
 **ErP 2015

Characteristic curve



Measured in full bell mouth without guard grille in installation type A according to ISO 5801

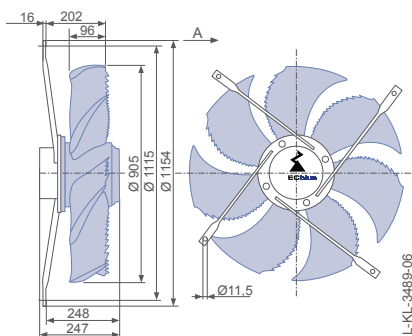
Connection diagram Page 530
1360-403

System components Page 430

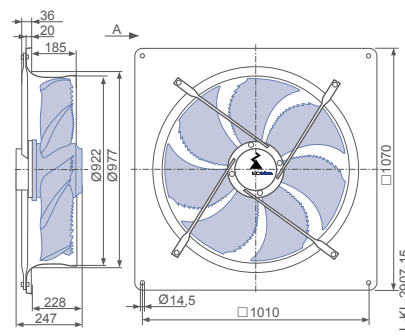
Dimensions mm

Airflow direction A

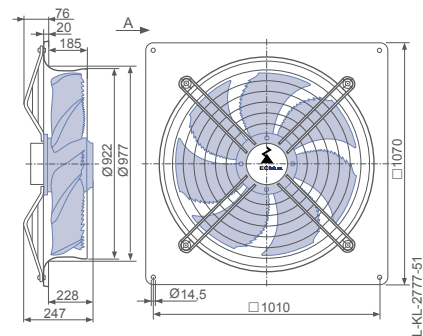
Design D - axial bolted, suspension for full bell mouth, without guard grille



Design Q - square full bell mouth, without guard grille



Design Q - square full bell mouth, guard grille suction side



Performance data

Type	Characteristic curve	Speed	Operating point	Current	Input power	Suction side sound power level	Maximum ambient temperature	
		n min ⁻¹		I A	P _{sys} W	L _{WAS} dB(A)		t _R °C
FN091-ZL_GL_5P1	I	1100	①	5.00	3300		50	
			②	4.80	3200	95		
			③	3.00	2000	84		
	II	1040	④	5.00	3300			60
			⑤	4.00	2700	93		
			⑥	2.60	1700	81		
	III	910	⑦	5.00	3300			
			⑧	2.80	1800	89		
			⑨	1.80	1150	78		
	IV	780	⑩	3.10	2000			
			⑪	1.80	1150	84		
			⑫	1.20	720	74		
	V	650	⑬	1.85	1200			
			⑭	1.15	660	78		
			⑮	0.82	440	69		
	VI	450	⑯	0.78	400			
			⑰	0.58	240	68		
			⑱	0.44	160	61		

Current values determined at 400V

Fan ordering information

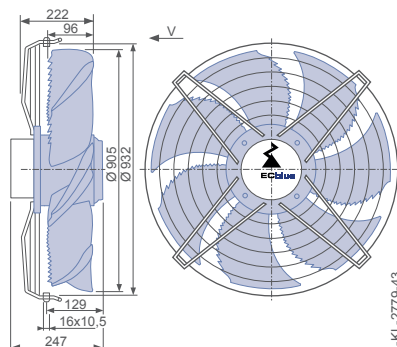
Design	Airflow direction A			Airflow direction V		
	D (without guard grille)	Q (without guard grille)	Q (guard grille suction side)	S (guard grille pressure side)	I (guard grille pressure side)	Q (guard grille pressure side)
Type	FN091-ZID.GL.A5P1	FN091-ZIQ.GL.A5P1	FN091-ZIQ.GL.A5P1	FN091-ZIS.GL.V5P1	FN091-ZII.GL.V5P1	FN091-ZIQ.GL.V5P1
Article no.	154843	154847	154851	154823	154831	154835
Weight kg	34.90	51.50	56.10	39.40	38.90	56.00

Control technology

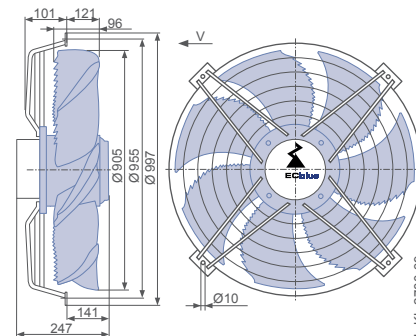
Control modules	Add-on modules	Operating terminal
Page 452	Page 463	Page 472

Airflow direction V

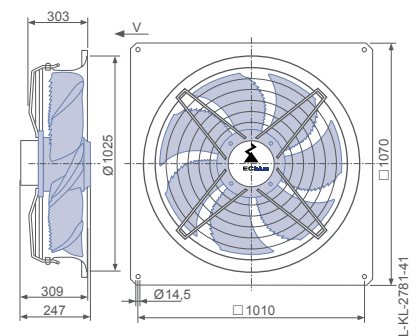
Design S - radially bolted, mounted for short bell mouth, guard grille pressure side



Design I - axial bolted, mounting for bell mouth flange, guard grille pressure side



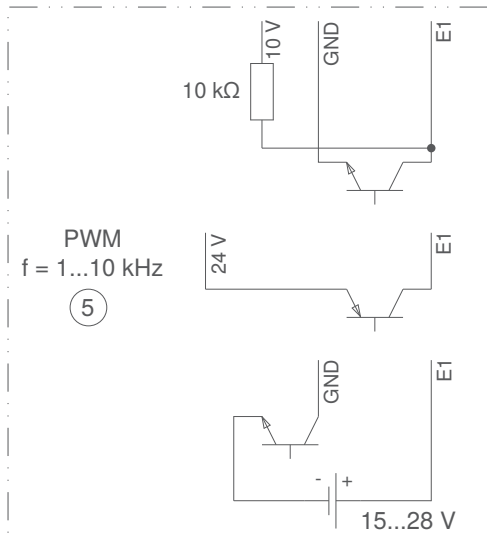
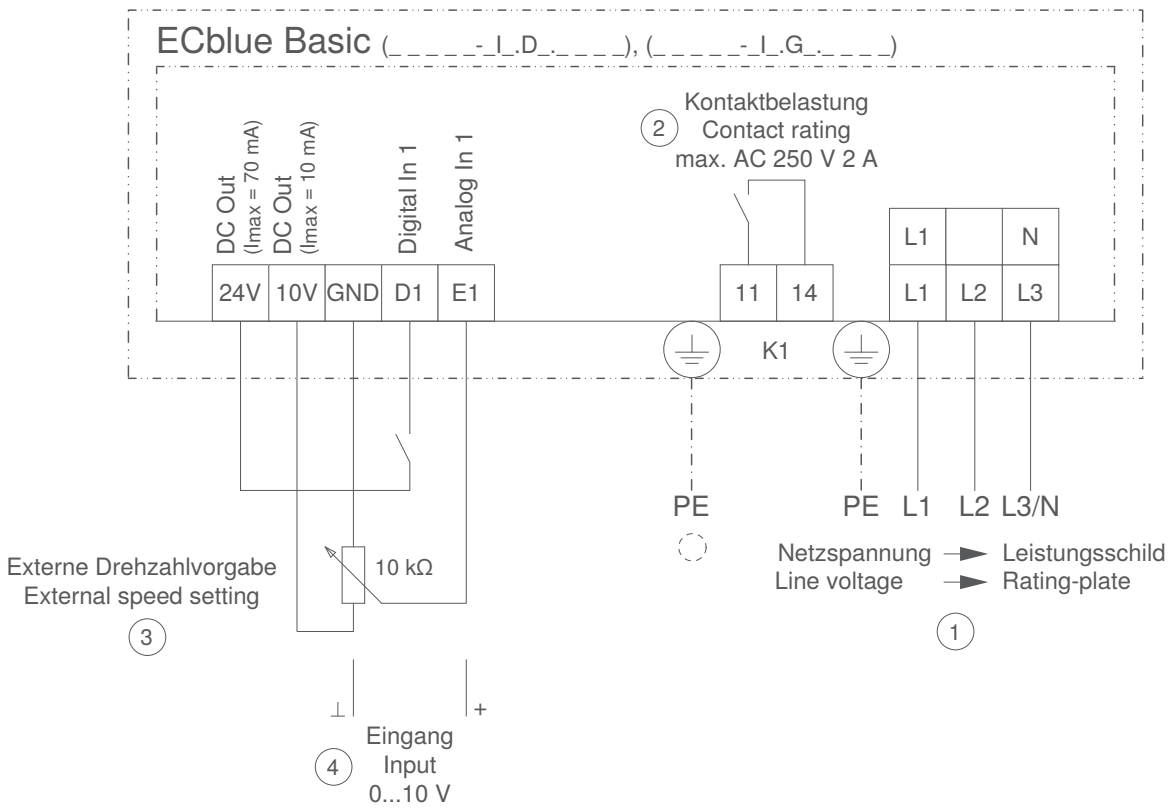
Design Q - square full bell mouth, guard grille pressure side



Connection diagrams

EC-Technology

1360-403 (EC116 / EC152)



MOEA03K1
 25.05.2012

- ① line voltage
- ② contact load
- ③ external speed setting
- ④ input
- ⑤ PWM