

# FE2owlet-ECblue

for three phase alternating current, 380-480 V

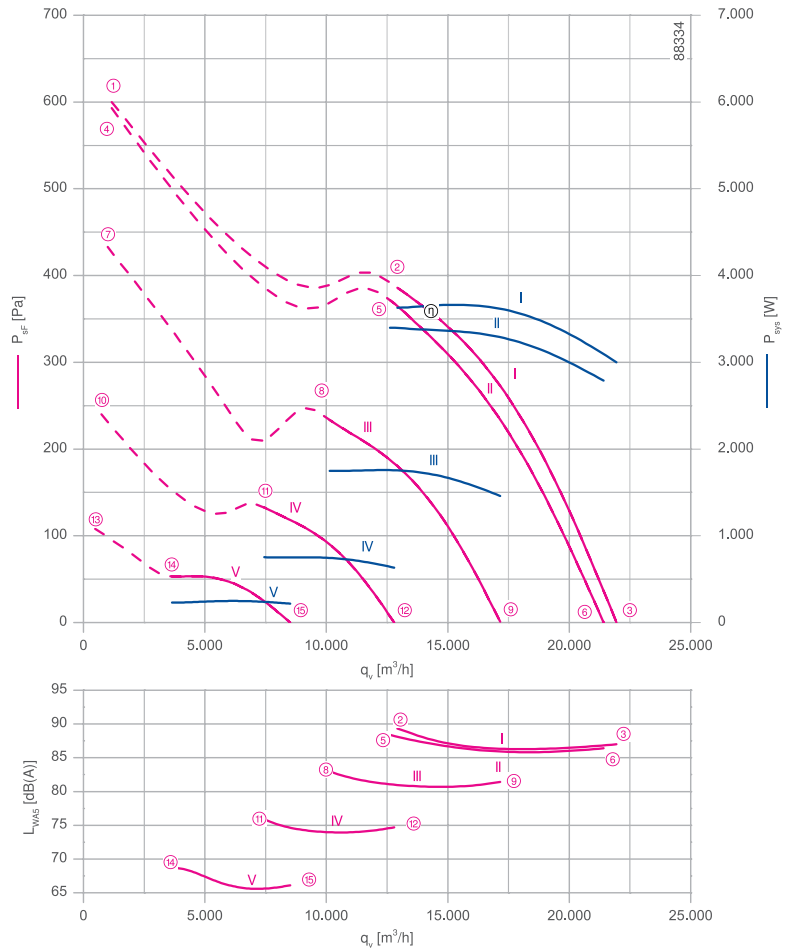
FN063



## Description

Motor technology: EC  
 Rated voltage  $U_N$ : 3- 380-480 V\*  
 Rated frequency  $f_N$ : 50/60 Hz\*  
 Input power  $P_{sys}$ : 3.70 kW\*  
 Rated current  $I_N$ : 5.90- 4.70 A\*  
 Rated speed  $n_N$ : 1600 min<sup>-1</sup>\*  
 Thermal class: THCL155\*  
 Min. permitted ambient temperature  $t_{R(min)}$ : -35 °C  
 Max. permitted ambient temperature  $t_{R(max)}$ : 55 °C  
 Electrical connection: integrated Controller  
 Number of blades: 7  
 Protection class: IP54  
 Motor protection: Integrated active temperature management  
 Blades: Aluminium, uncoated  
 Rotor: Steel, 2 coat paint, ultramarine blue  
 Conformity: ErP 2015, CE, UL  
**ErP-data**  
 Efficiency  $\eta_{statA}$ : 41.7 %  
 Efficiency:  $N_{actual} = 44.5 / N_{target} = 40^{**}$   
 EC controller integrated  
 \* Rated data  
 \*\*ErP 2015

## Characteristic curve



Measured in full bell mouth without guard grille in installation type A according to ISO 5801

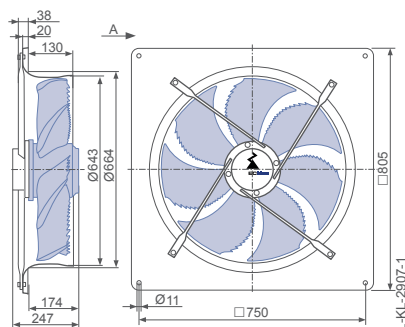
Connection diagram Page 530  
1360-403

System components Page 430

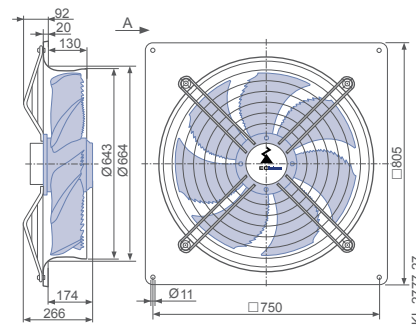
## Dimensions mm

Airflow direction A

Design Q - square full bell mouth, without guard grille

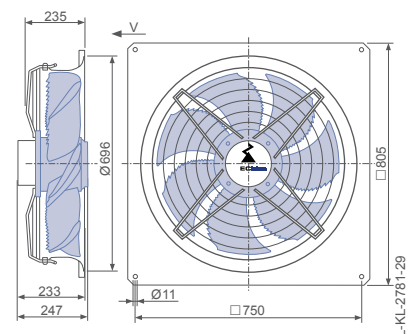


Design Q - square full bell mouth, guard grille suction side



Airflow direction V

Design Q - square full bell mouth, guard grille pressure side



Performance data

Type	Characteristic curve	Speed	Operating point	Current	Input power	Suction side sound power level	Maximum ambient temperature
		n min <sup>-1</sup>		I A	P <sub>sys</sub> W	L <sub>WAS</sub> dB(A)	
FN063-ZI_GL_7P3	I	1600	①	5.40	3500		55
			②	5.60	3600	91	
			③	4.60	3000	87	
	II	1560	④	5.40	3500		60
			⑤	5.20	3400	90	
			⑥	4.20	2800	86	
	III	1250	⑦	3.40	2200		
			⑧	2.70	1750	85	
			⑨	2.30	1450	81	
	IV	930	⑩	1.50	920		
			⑪	1.25	740	77	
	V	620	⑫	1.10	640	75	
			⑬	0.68	310		
			⑭	0.60	250	67	
				⑮	0.54	220	66

Current values determined at 400V

Fan ordering information

Design	Airflow direction A		Airflow direction V	
	Q (without guard grille)	Q (guard grille suction side)	Q (guard grille suction side)	Q (guard grille pressure side)
<b>Type</b>	<b>FN063-ZIQ.GL.A7P3</b>	<b>FN063-ZIQ.GL.A7P3</b>	<b>FN063-ZIQ.GL.V7P3</b>	
<b>Article no.</b>	<b>154984</b>	<b>154988</b>	<b>154972</b>	
<b>Weight kg</b>	41.90	44.20	44.60	

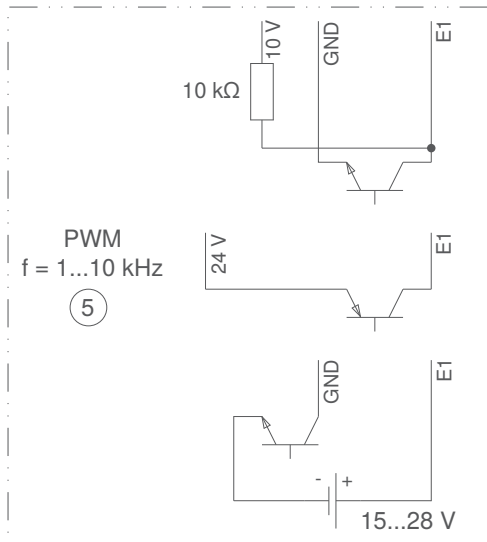
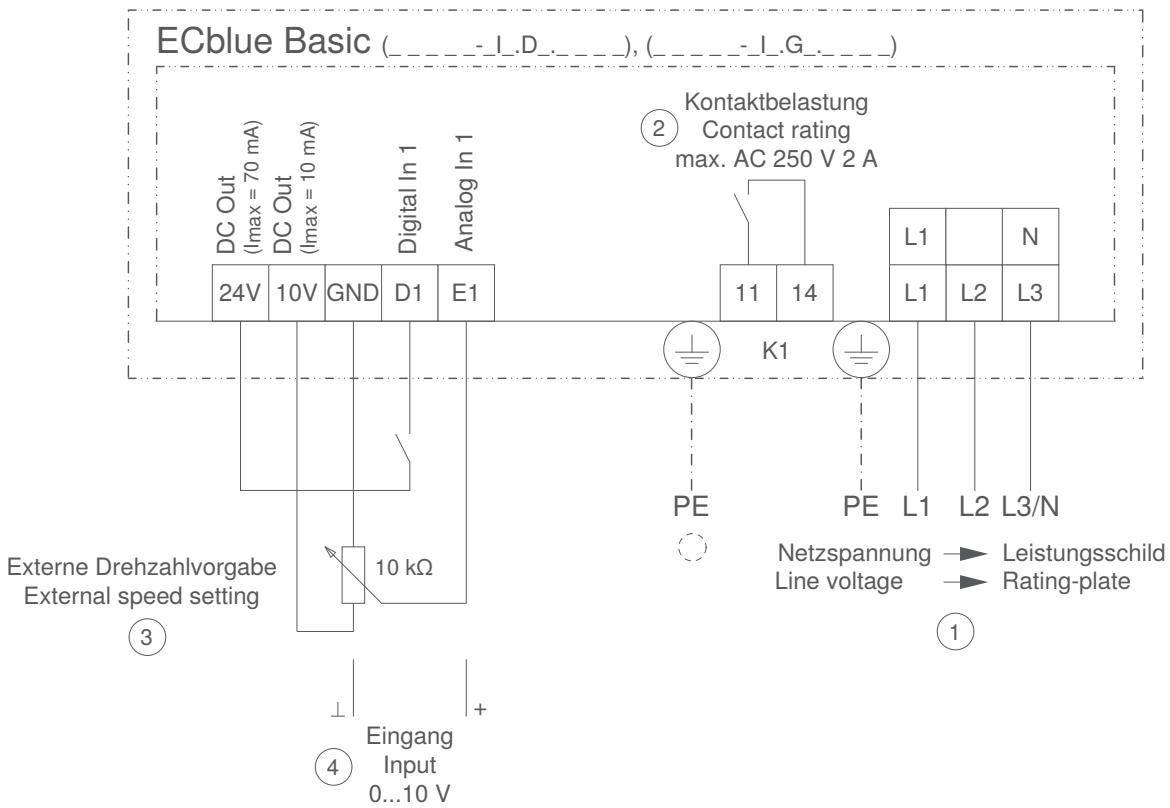
Control technology

Control modules	Add-on modules	Operating terminal
Page 452	Page 463	Page 472

# Connection diagrams

## EC-Technology

### 1360-403 (EC116 / EC152)



MOEA03K1  
 25.05.2012

- ① line voltage
- ② contact load
- ③ external speed setting
- ④ input
- ⑤ PWM