

# FE2owlet-ECblue

for single phase alternating current, 200-277 V

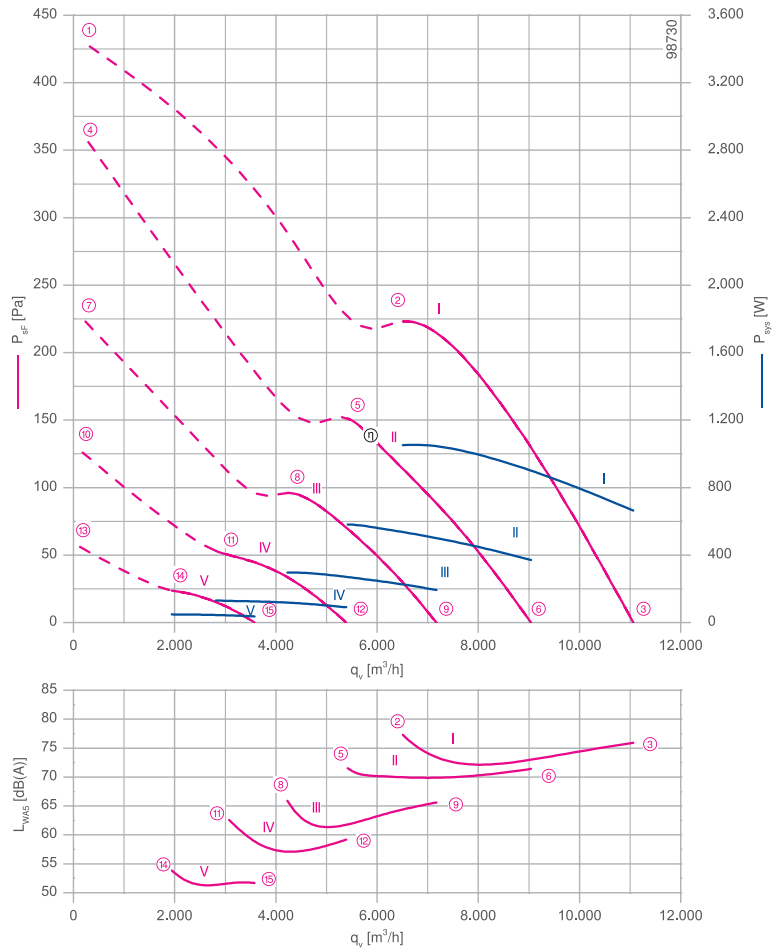
FN056



## Description

Motor technology: EC  
 Rated voltage  $U_N$ : 1~ 200-277 V\*  
 Rated frequency  $f_N$ : 50/60 Hz\*  
 Input power  $P_{sys}$ : 1.05 kW\*  
 Rated current  $I_N$ : 5.60- 4.00 A\*  
 Rated speed  $n_N$ : 1350 min<sup>-1</sup>\*  
 Thermal class: THCL155\*  
 Min. permitted ambient temperature  $t_{R(min)}$ : -35 °C  
 Max. permitted ambient temperature  $t_{R(max)}$ : 50 °C  
 Electrical connection: integrated Controller  
 Number of blades: 5  
 Protection class: IP54  
 Motor protection: Integrated active temperature management  
 Blades: High Performance Composite Material, uncoated, black  
 Rotor: Steel, 2 coat paint, ultramarine blue  
 Conformity: ErP 2015, CE, UL  
**ErP-data**  
 Efficiency  $\eta_{statA}$ : 43.9 %  
 Efficiency:  $N_{actual} = 50.2 / N_{target} = 40$ \*\*  
 EC controller integrated  
 \* Rated data  
 \*\*ErP 2015

## Characteristic curve



Measured in full bell mouth without guard grille in installation type A according to ISO 5801

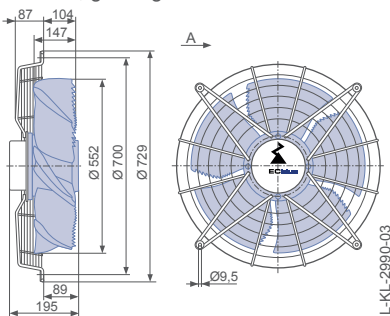
Connection diagram Page 530  
1360-403

System components Page 430

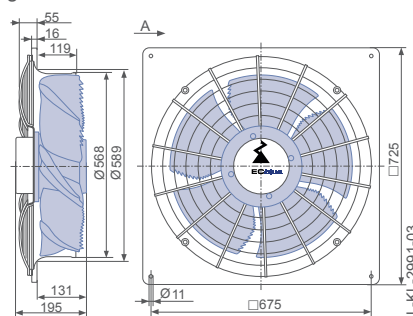
## Dimensions mm

Airflow direction A

Design W - axial bolted, mounting for short bell mouth, guard grille suction side

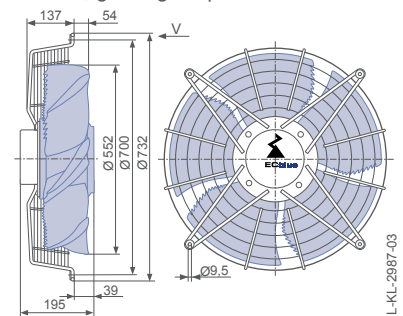


Design Q - square full bell mouth, guard grille suction side



Airflow direction V

Design K - axial bolted, mounted for short bell mouth, guard grille pressure side


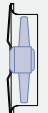

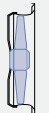


Performance data

Type	Characteristic curve	Speed	Operating point	Current	Input power	Suction side sound power level	Maximum ambient temperature
		$n$ $\text{min}^{-1}$		$I$ A	$P_{\text{sys}}$ W	$L_{\text{WAS}}$ dB(A)	$t_{\text{R}}$ $^{\circ}\text{C}$
FN056-ZL_DC_5P4	I	1350	①	5.80	1250		50
			②	4.80	1050	78	
			③	3.10	660	76	
	II	1110	④	4.40	940		60
			⑤	2.80	580	72	
			⑥	1.80	370	71	
	III	880	⑦	2.30	460		70
			⑧	1.40	300	66	
			⑨	0.88	190	66	
	IV	660	⑩	0.92	200		
			⑪	0.64	130	59	
			⑫	0.46	90	59	
	V	440	⑬	0.39	70		
			⑭	0.31	50	52	
			⑮	0.28	36	52	

Current values determined at 230V

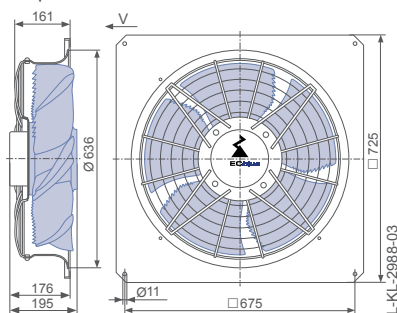
Fan ordering information

Design	W (guard grille suction side)	Q (guard grille suction side)	K (guard grille pressure side)	Q (guard grille pressure side)
				
<b>Type</b>	<b>FN056-ZIW.DC.A5P4</b>	<b>FN056-ZIQ.DC.A5P4</b>	<b>FN056-ZIK.DC.V5P4</b>	<b>FN056-ZIQ.DC.V5P4</b>
<b>Article no.</b>	<b>162069</b>	<b>162067</b>	<b>162075</b>	<b>162077</b>
<b>Weight kg</b>	13.60	21.00	14.10	20.40

Control technology

Control modules	Add-on modules	Operating terminal
		
Page 452	Page 463	Page 472

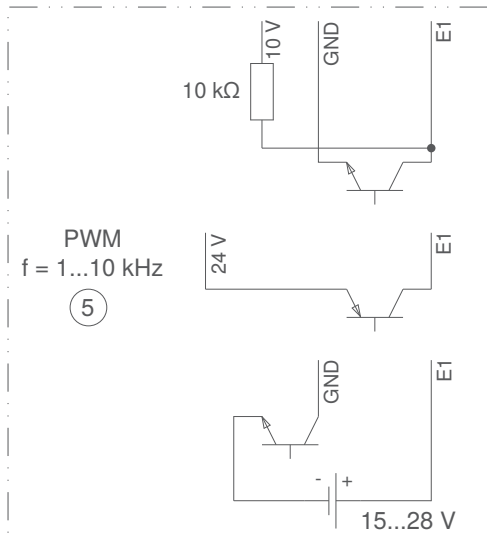
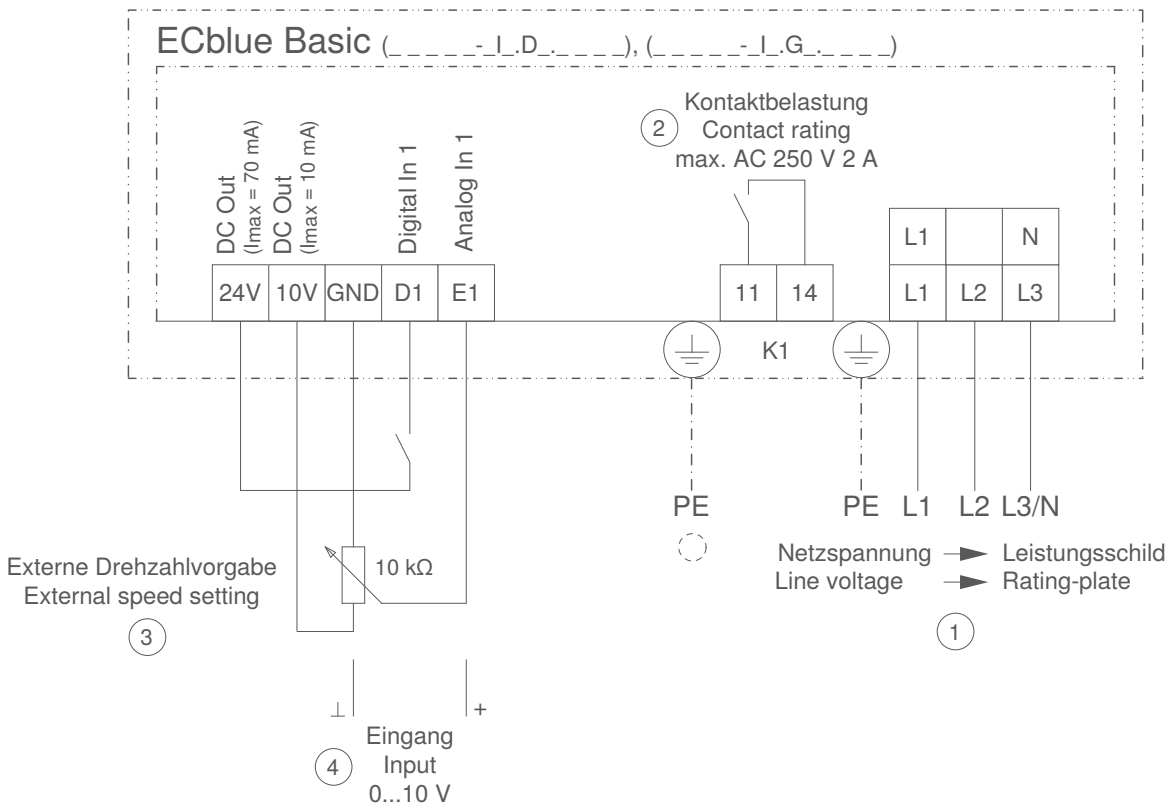
Design Q - square full bell mouth, guard grille pressure side



# Connection diagrams

## EC-Technology

### 1360-403 (EC116 / EC152)



MOEA03K1  
 25.05.2012

- ① line voltage
- ② contact load
- ③ external speed setting
- ④ input
- ⑤ PWM

