

# FE2owlet-ECblue

for single phase alternating current, 200-277 V

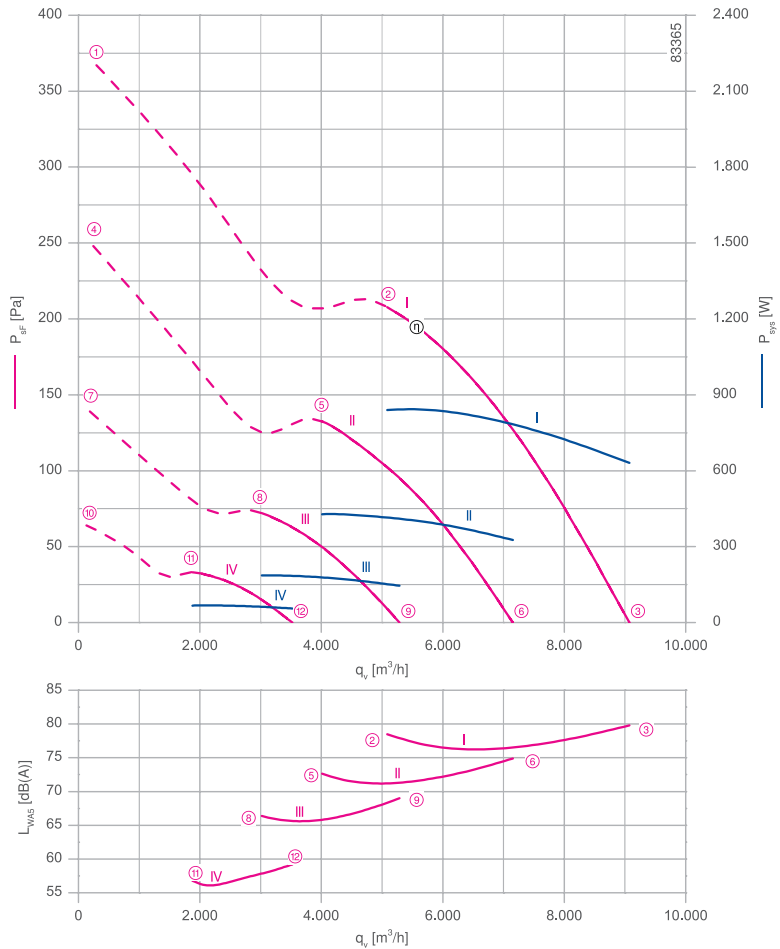
FN050



## Description

Motor technology: EC  
 Rated voltage  $U_N$ : 1~ 200-277 V\*  
 Rated frequency  $f_N$ : 50/60 Hz\*  
 Input power  $P_{sys}$ : 0.84 kW\*  
 Rated current  $I_N$ : 4.40- 3.20 A\*  
 Rated speed  $n_N$ : 1440 min<sup>-1</sup>\*  
 Thermal class: THCL155\*  
 Min. permitted ambient temperature  $t_{R(min)}$ : -35 °C  
 Max. permitted ambient temperature  $t_{R(max)}$ : 60 °C  
 Electrical connection: integrated Controller  
 Number of blades: 7  
 Protection class: IP54  
 Motor protection: Integrated active temperature management  
 Blades: High Performance Composite Material, uncoated, black  
 Rotor: Steel, 2 coat paint, ultramarine blue  
 Conformity: ErP 2015, CE, UL  
**ErP-data**  
 Efficiency  $\eta_{statA}$ : 40.1 %  
 Efficiency:  $N_{actual} = 46.9 / N_{target} = 40^{**}$   
 EC controller integrated  
 \* Rated data  
 \*\*ErP 2015

## Characteristic curve



Measured in full bell mouth without guard grille in installation type A according to ISO 5801

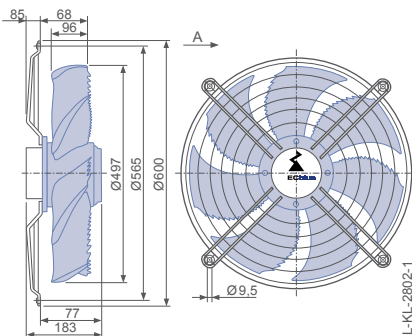
Connection diagram Page 530  
1360-403

System components Page 430

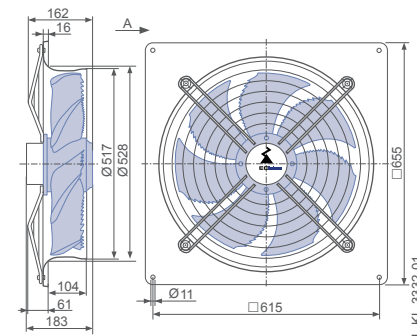
## Dimensions mm

Airflow direction →

Design W - axial bolted, mounting for short bell mouth, guard grille suction side

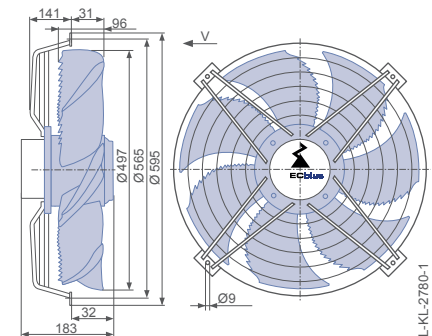


Design Q - square full bell mouth, guard grille suction side



← Airflow direction

Design K - axial bolted, mounted for short bell mouth, guard grille pressure side







Performance data

Type	Characteristic curve	Speed	Operating point	Current	Input power	Suction side sound power level
		n min <sup>-1</sup>		I A	P <sub>sys</sub> W	L <sub>WA5</sub> dB(A)
FN050-ZI_DC_7P2	I	1440	①	4.80	1050	
			②	3.80	840	79
			③	2.90	640	80
	II	1150	④	2.70	580	
			⑤	2.00	420	73
			⑥	1.55	330	75
	III	860	⑦	1.15	250	
			⑧	0.86	190	66
			⑨	0.68	150	69
	IV	580	⑩	0.46	85	
			⑪	0.39	70	56
			⑫	0.35	55	59

Current values determined at 230V

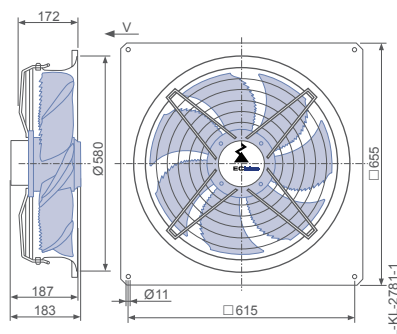
Fan ordering information

Design	W (guard grille suction side)	Q (guard grille suction side)	K (guard grille pressure side)	Q (guard grille pressure side)
				
<b>Type</b>	<b>FN050-ZIW.DC.A7P2</b>	<b>FN050-ZIQ.DC.A7P2</b>	<b>FN050-ZIK.DC.V7P2</b>	<b>FN050-ZIQ.DC.V7P2</b>
<b>Article no.</b>	<b>154375</b>	<b>154381</b>	<b>154399</b>	<b>154405</b>
<b>Weight kg</b>	12.30	18.70	13.90	17.60

Control technology

Control modules	Add-on modules	Operating terminal
		
Page 452	Page 463	Page 472

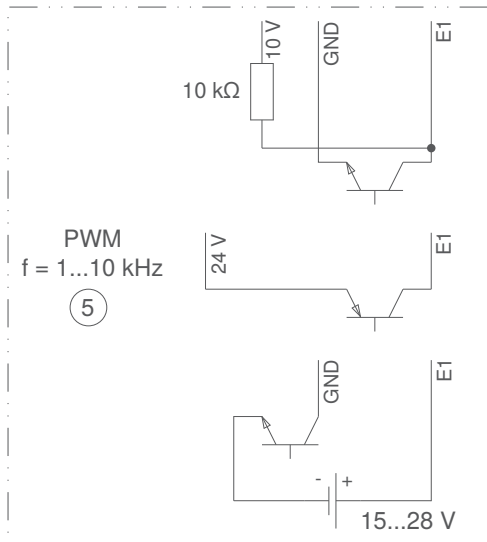
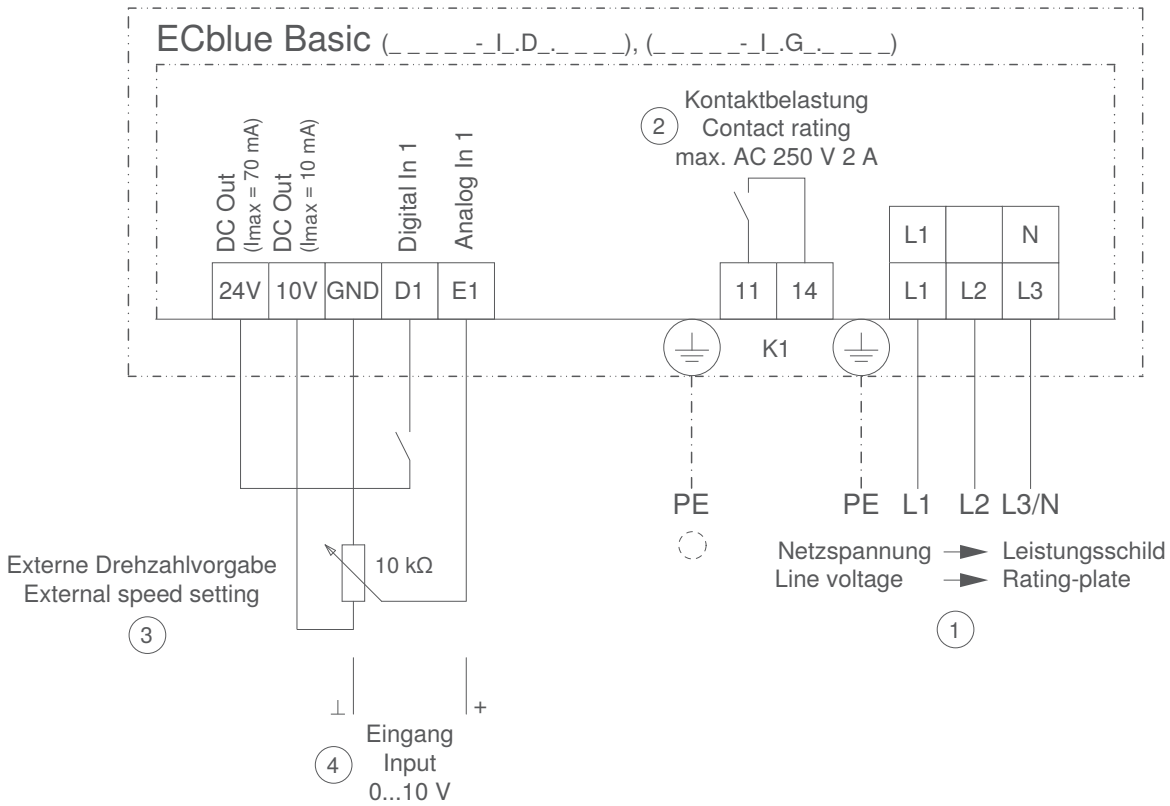
Design Q - square full bell mouth, guard grille pressure side



# Connection diagrams

## EC-Technology

### 1360-403 (EC116 / EC152)



MOEA03K1  
 25.05.2012

- ① line voltage
- ② contact load
- ③ external speed setting
- ④ input
- ⑤ PWM