

FE2owlet-ECblue

for three phase alternating current, 380-480 V

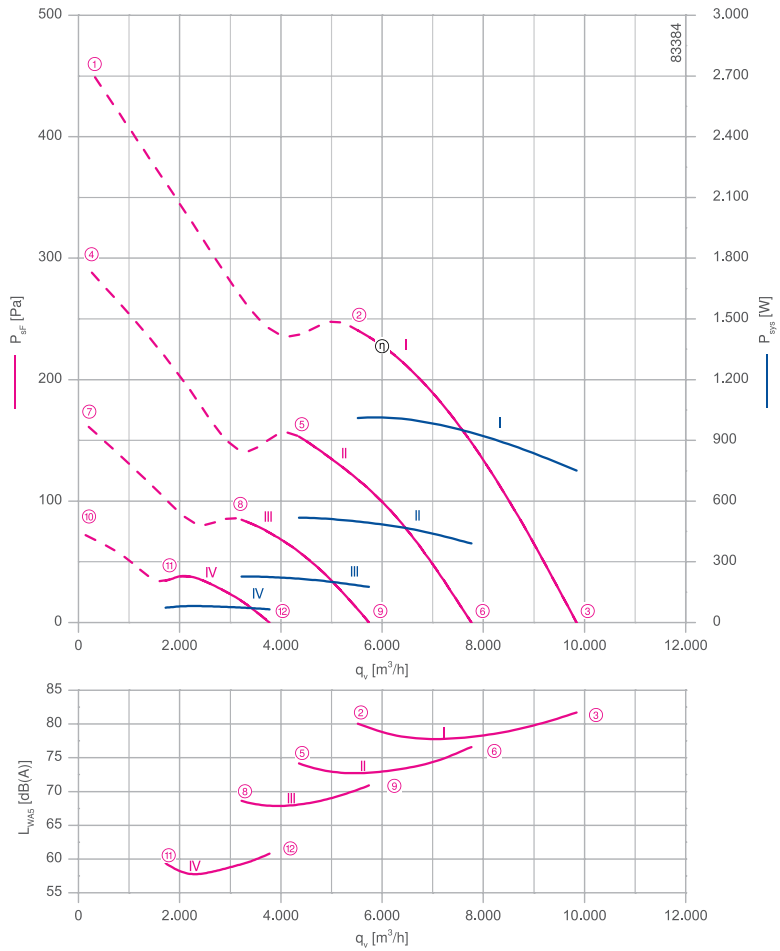
FN050



Description

Motor technology: EC
 Rated voltage U_N : 3- 380-480 V*
 Rated frequency f_N : 50/60 Hz*
 Input power P_{sys} : 1.00 kW*
 Rated current I_N : 1.70- 1.35 A*
 Rated speed n_N : 1550 min⁻¹*
 Thermal class: THCL155*
 Min. permitted ambient temperature $t_{R(min)}$: -35 °C
 Max. permitted ambient temperature $t_{R(max)}$: 60 °C
 Electrical connection: integrated Controller
 Number of blades: 7
 Protection class: IP54
 Motor protection: Integrated active temperature management
 Blades: High Performance Composite Material, uncoated, black
 Rotor: Steel, 2 coat paint, ultramarine blue
 Conformity: ErP 2015, CE, UL
ErP-data
 Efficiency η_{statA} : 41.8 %
 Efficiency: $N_{actual} = 48.1 / N_{target} = 40^{**}$
 EC controller integrated
 * Rated data
 **ErP 2015

Characteristic curve



Measured in full bell mouth without guard grille in installation type A according to ISO 5801

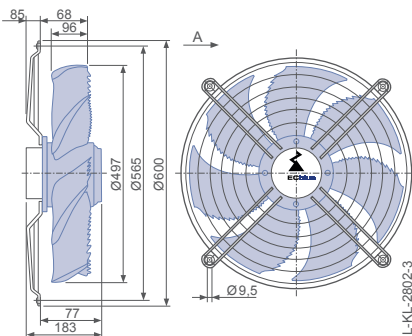
Connection diagram Page 530
1360-403

System components Page 430

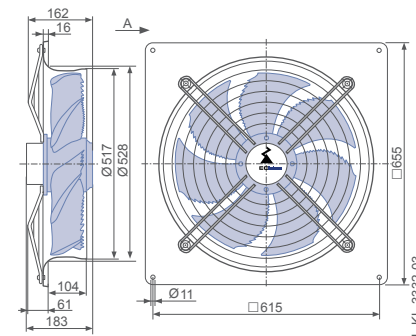
Dimensions mm

Airflow direction A

Design W - axial bolted, mounting for short bell mouth, guard grille suction side

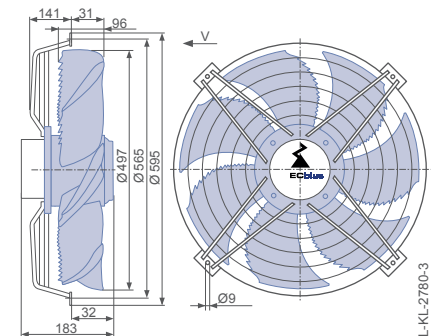


Design Q - square full bell mouth, guard grille suction side



Airflow direction V

Design K - axial bolted, mounted for short bell mouth, guard grille pressure side



Performance data

Type	Characteristic curve	Speed	Operating point	Current	Input power	Suction side sound power level
		n min ⁻¹		I A	P _{sys} W	L _{WA5} dB(A)
FN050-ZI_DC_7P2	I	1550	①	2.10	1400	
			②	1.60	1000	80
			③	1.25	760	82
	II	1240	④	1.15	700	
			⑤	0.92	520	74
			⑥	0.76	390	77
	III	930	⑦	0.64	300	
			⑧	0.54	230	69
			⑨	0.46	180	71
	IV	620	⑩	0.33	100	
			⑪	0.29	80	58
			⑫	0.26	65	61

Current values determined at 400V

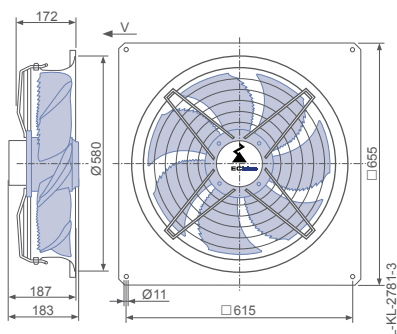
Fan ordering information

Design	Airflow direction A		Airflow direction V	
	W (guard grille suction side)	Q (guard grille suction side)	K (guard grille pressure side)	Q (guard grille pressure side)
Type	FN050-ZIW.DC.A7P2	FN050-ZIQ.DC.A7P2	FN050-ZIK.DC.V7P2	FN050-ZIQ.DC.V7P2
Article no.	154371	154377	154395	154401
Weight kg	12.30	18.70	13.90	17.60

Control technology

Control modules	Add-on modules	Operating terminal
Page 452	Page 463	Page 472

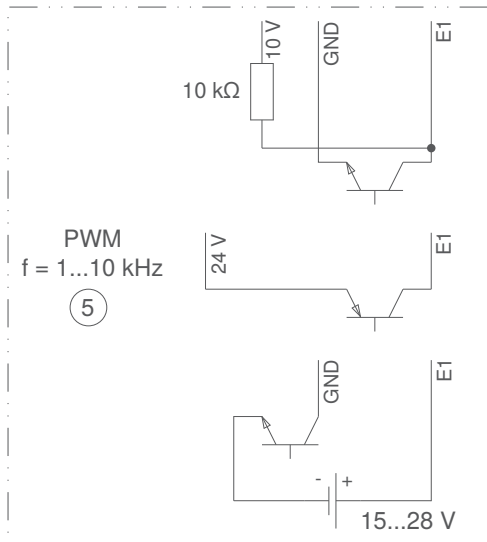
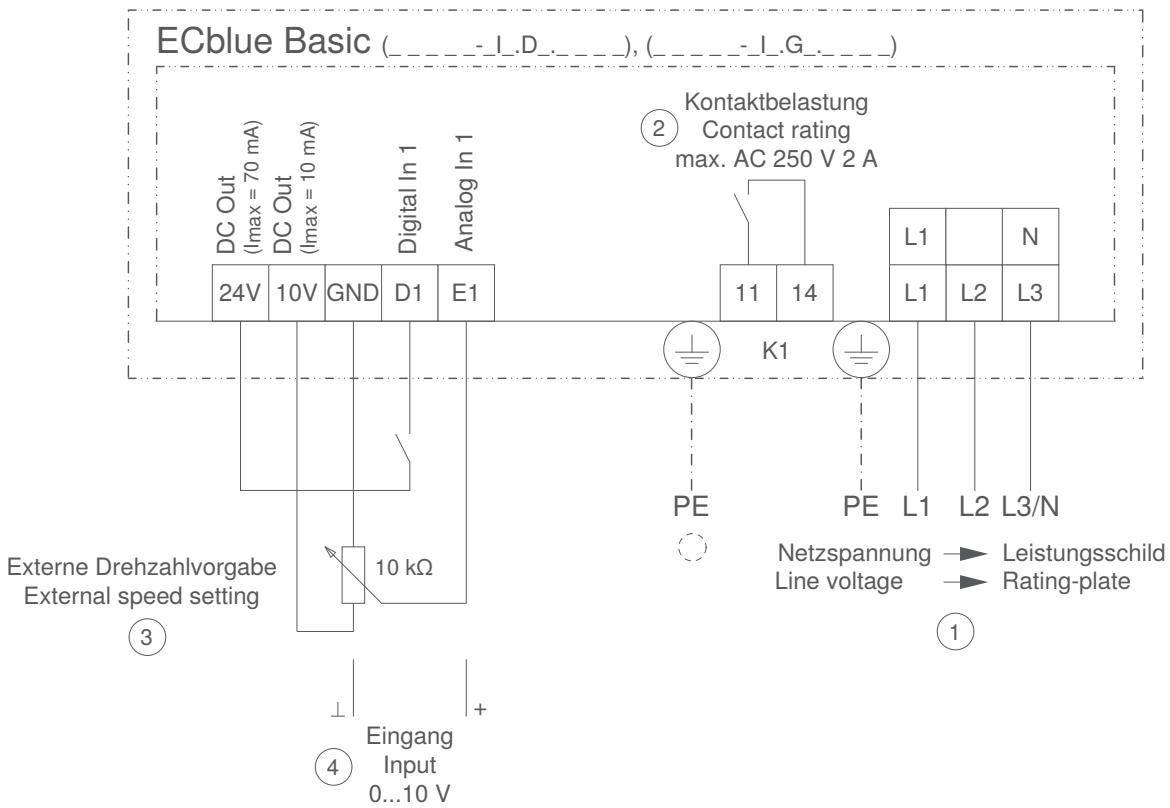
Design Q - square full bell mouth, guard grille pressure side



Connection diagrams

EC-Technology

1360-403 (EC116 / EC152)



MOEA03K1
 25.05.2012

- ① line voltage
- ② contact load
- ③ external speed setting
- ④ input
- ⑤ PWM