



Movement by Perfection



The Royal League in **ventilation**, control and drive technology

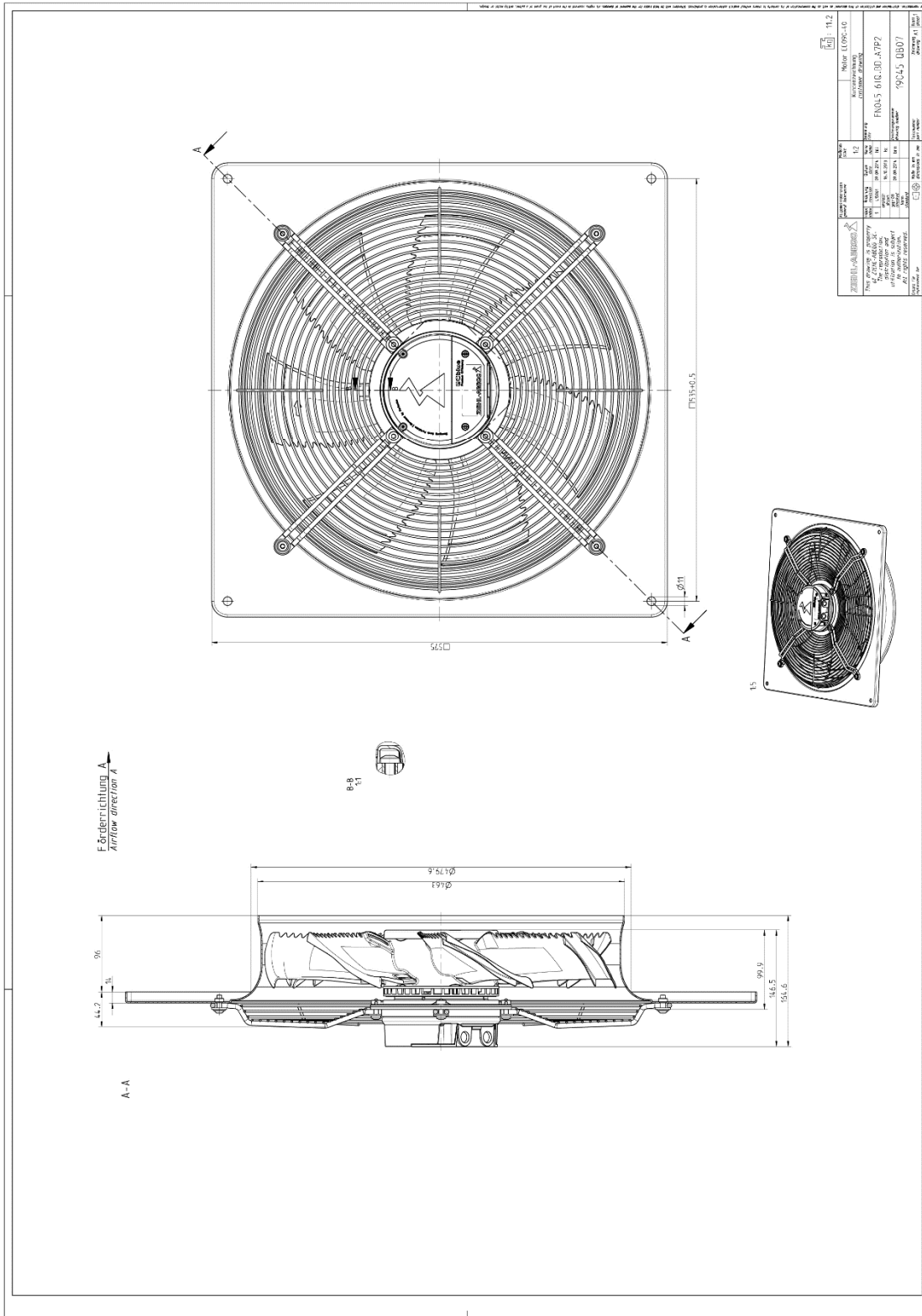


Product documentation

Type  
FN045-6IQ.BD.A7P2

Article number  
167097

# The Royal League Die Königsklasse



### 1. Product specification

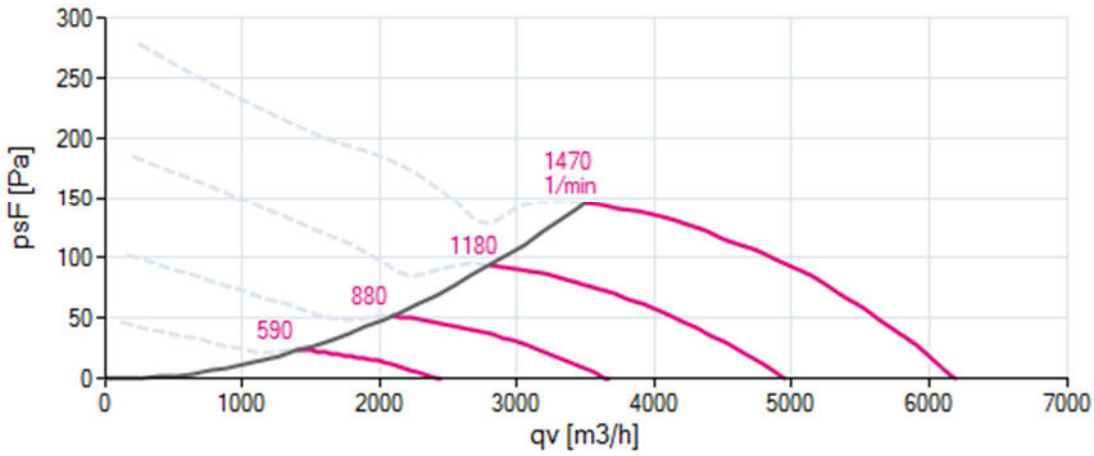
#### Technical data

<b>Article number</b>	167097
<b>Type</b>	FN045-6IQ.BD.A7P2
<b>Designation</b>	Axial fan with sickle blades
<b>Rated values</b>	1~200-277V 50/60Hz P <sub>i</sub> 390W 1.95-1.40A 1470 min <sup>-1</sup> 60 °C
<b>Electrical connection</b>	Integrated controller
<b>Min. operating temperature °C</b>	-35
<b>Type of protection</b>	IP54
<b>Thermal class</b>	THCL155
<b>Connection diagram</b>	1360-384
<b>Rating plate</b>	1x fixed
<b>Fitting position</b>	H/Vu/Vo
<b>Motor protection</b>	integrated active temperaturemanagement
<b>Quality of bearings</b>	ball bearing with long-time lubrication
<b>Material Rotor</b>	Steel
<b>Painting rotor</b>	2 coat painted
<b>colour rotor</b>	RAL 5002 (ultramarine blue)
<b>Material blades</b>	High Performance Composite Material
<b>Painting impeller</b>	unpainted
<b>Colour blades</b>	black
<b>Guard grille type</b>	ring grille
<b>Painting pipe</b>	Bell mouth powder-coated consistency class 2
<b>Colour pipe</b>	RAL 9005 (jet black)
<b>Painting mot.suspens</b>	Motor suspension powder-coated consistency class 2
<b>colour suspension</b>	RAL 9005 (jet black)
<b>Weight kg</b>	11,20
<b>ErP Data</b>	Efficiency $\eta_{statA}$ : 45.1 % Efficiency: $N_{actual} = 54.1 / N_{target} = 40^*$ *ErP 2015

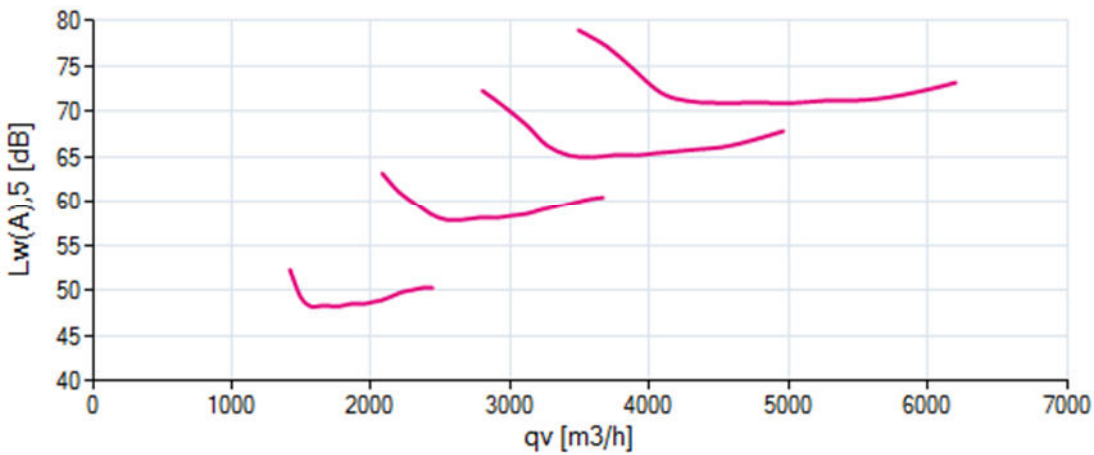


### 2. Characteristic Curve

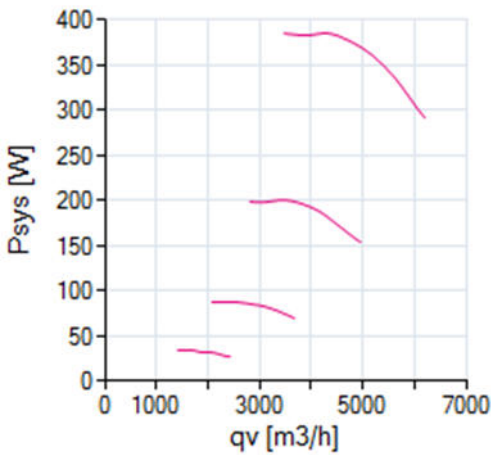
#### Air performance



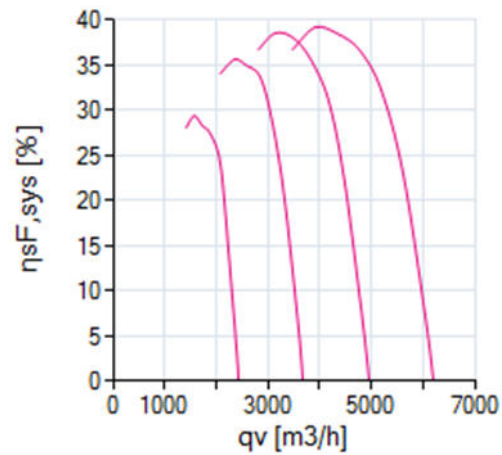
#### Acoustics



#### Power input



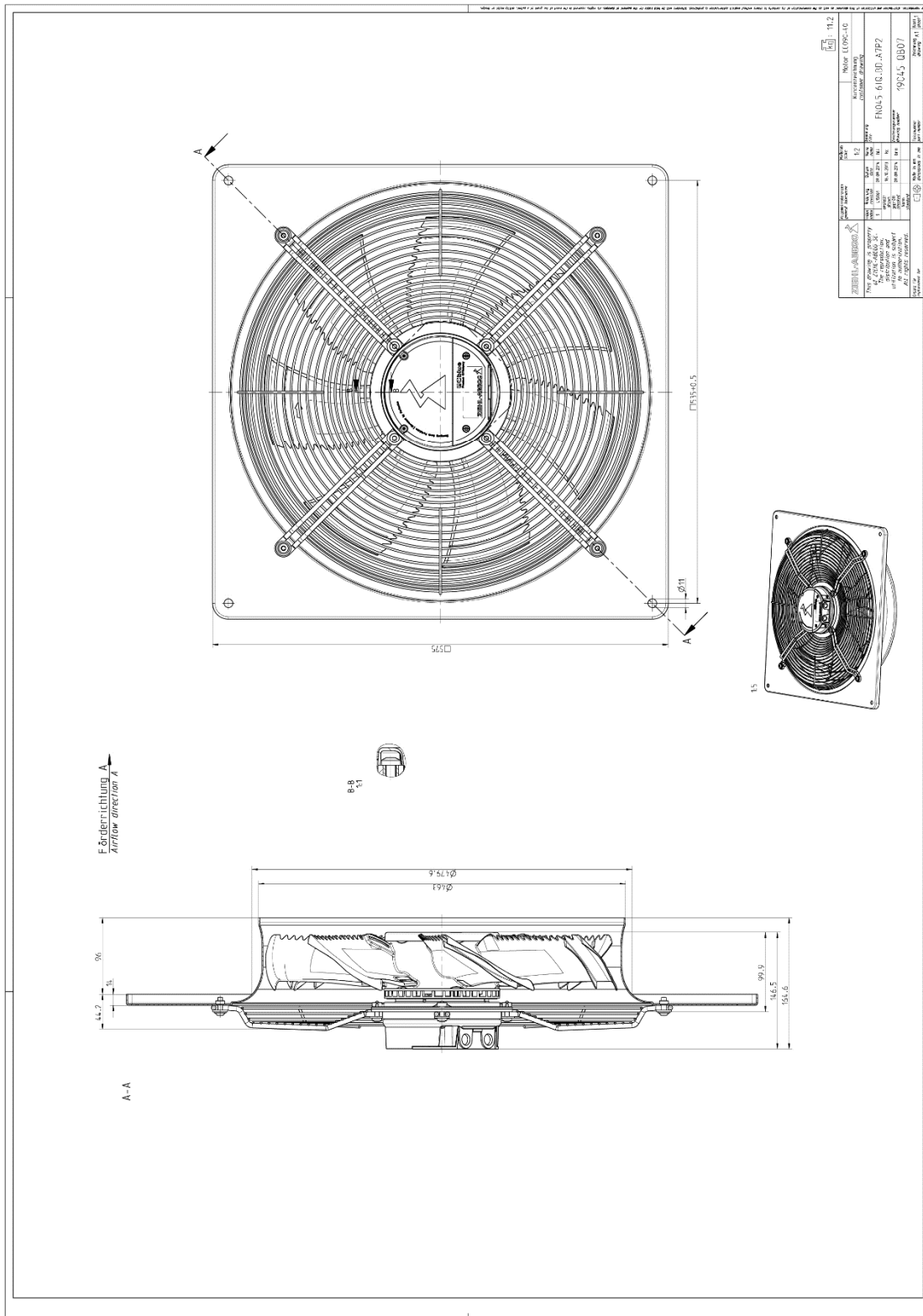
#### Efficiency



měřeno v plném hrdle bez mřížky, instalace typ A podle ISO 5801



### 3. Drawing



Dimensions in mm  
Shown drawing is just to show the dimensions of the fan.



### 4. Connection diagram

1360-384



⑤ Vor Nässe und Schmutz schützen  
Keep dry and protect from dirt

00298951 / 16.11.2011

