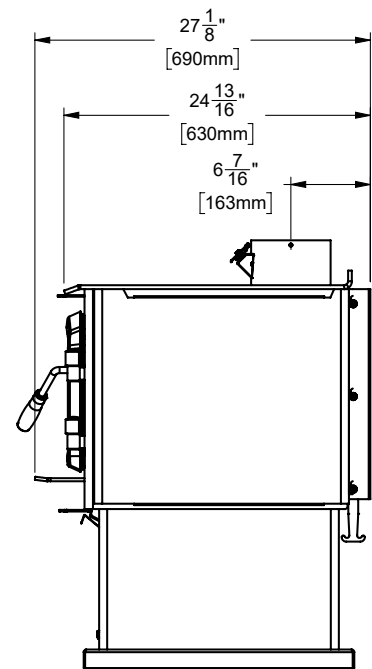
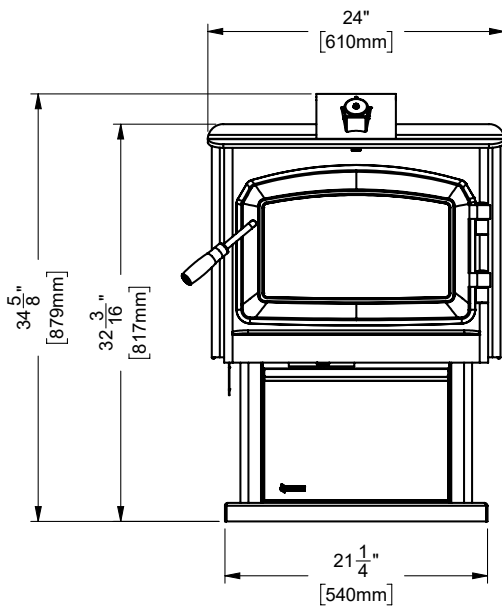
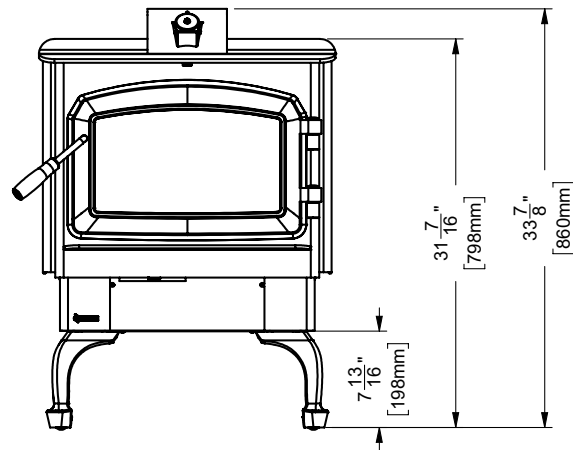


Unit Dimensions



outside air dimensions

