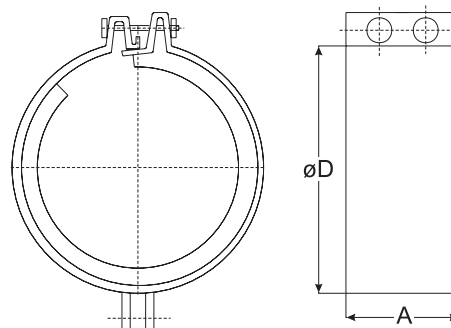
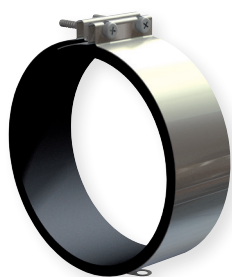


## Mounting clamps for circular ducts



Title	Article No.
AP 100	GAPAP001
AP 125	GAPAP002
AP 150	GAPAP003
AP 160	GAPAP004
AP 200	GAPAP005
AP 250	GAPAP006
AP 315	GAPAP007
AP 355	GAPAP008
AP 400	GAPAP009
AP 450	GAPAP010
AP 500	GAPAP011
AP 560	GAPAP015
AP 630	GAPAP012
AP 710	GAPAP016
AP 800	GAPAP013

Clamps AP are used for the mounting of various elements of ventilation and air conditioning systems. They minimize vibrations and ensure tight fit of various parts of a system. Made of galvanized steel.

Dimensions			
Type	$\varnothing D$ , [mm]	A, [mm]	Weight, [kg]
AP 100	100	60	0,12
AP 125	125	60	0,15
AP 150	150	60	0,18
AP 160	160	60	0,20
AP 200	200	60	0,22
AP 250	250	60	0,25
AP 315	315	60	0,28
AP 355	355	60	0,30
AP 400	400	60	0,32
AP 450	450	60	0,35
AP 500	500	60	0,37
AP 560	560	60	0,4
AP 630	630	60	0,44
AP 710	710	60	0,48
AP 800	800	60	0,52